

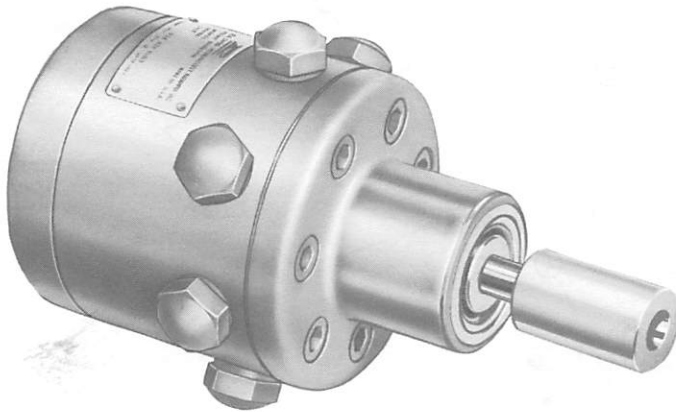


BOSCH

REPAIR PARTS

RADIAL PISTON PUMP

MODEL 20

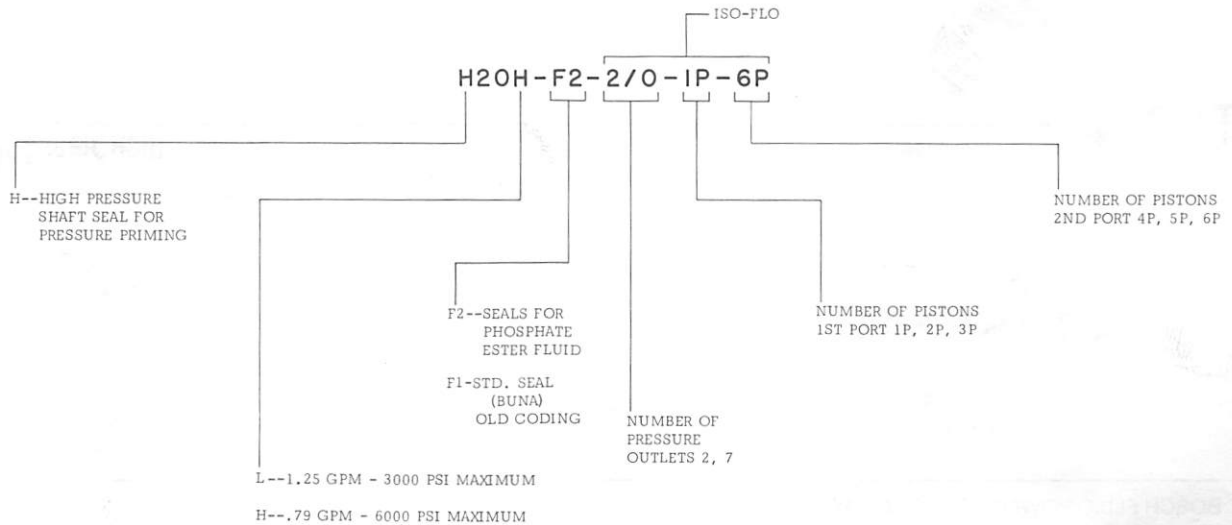


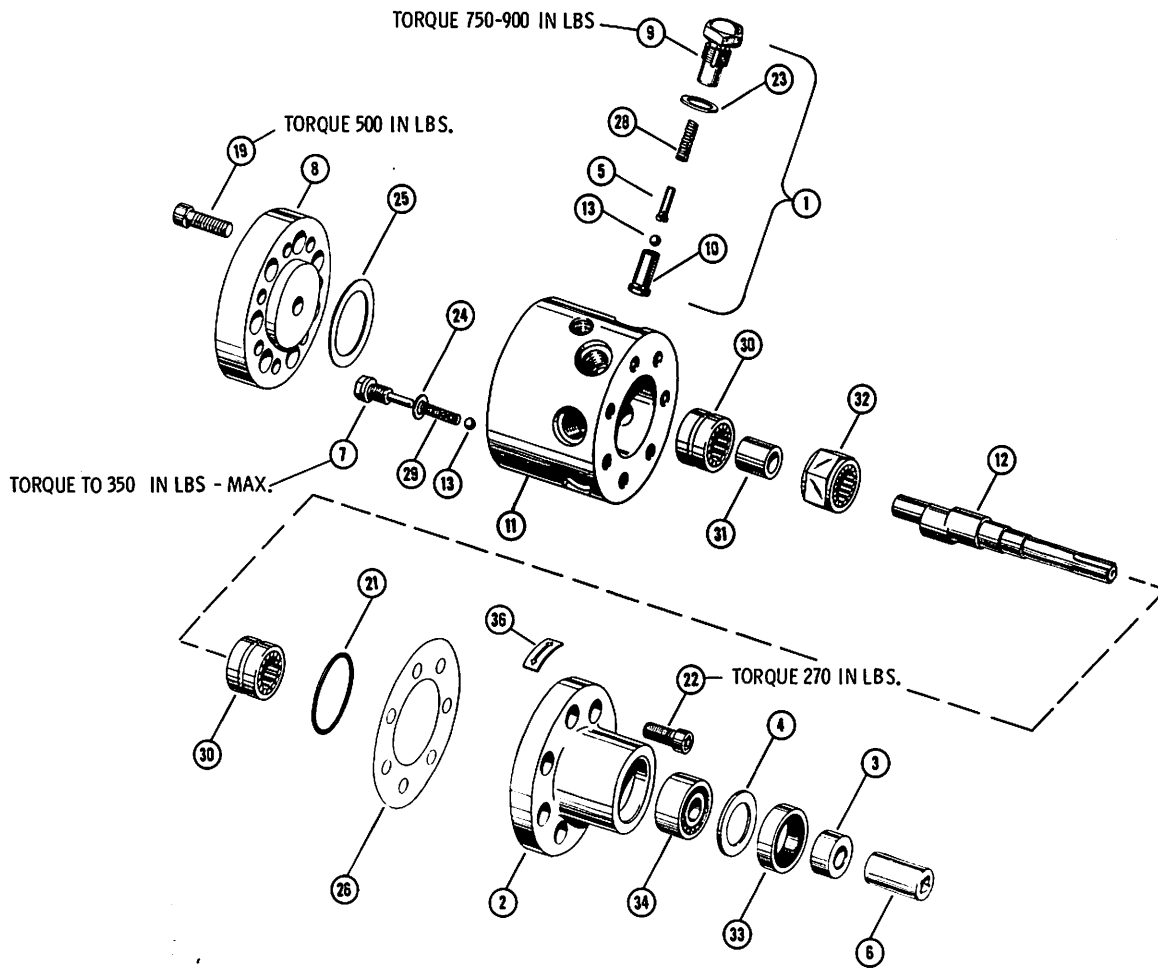
WHEN ORDERING PARTS, FURNISH:

1. COMPLETE CODE NUMBER
2. PARTS REQUIRED
3. SHIPPING INSTRUCTIONS

WRITE FACTORY FOR NEAREST AUTHORIZED PARTS AND SERVICE CENTER.

PUMP CODING

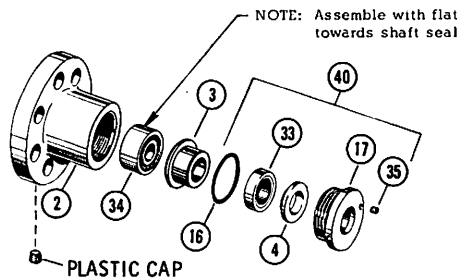




Ref. No.	Part No.	Description	Qty.
1	750013	Piston Assembly	7
2	250009	Motor End Cover	1
3	350025	Oil Seal Shaft Collar	1
4	350026	Bearing Retainer	1
5	350023	Inlet Check Ball Stop	7
6	350024	Splined Coupling	1
7	350027	Outlet Check Ball Stop	7
8	350161	Hydro End Cover	1
9	777191	Sleeve & Piston Assembly (sold as an assembly)	7
10	750052	Pump Body & Inlet Cage Assembly	1
11	721185	Body, ISO Flow	1
12	350164	Eccentric Shaft 20L	1
12	350165	Eccentric Shaft 20H	1
13	401065	Steel Ball	14
19	405237	Screw 3/8-24 x 1"	7
21	406712	O-Ring, 3/32 x 1-11/16 x 1-7/8 Viton	1

Ref. No.	Part No.	Description	Qty.
22	490024	Screw 3/8-24 x 3/4"	7
23	490071	Copper Gasket	7
24	490072	Copper Gasket	7
25	490073	Fiber Gasket	1
26	490995	Gasket	1
28	490165	Spring - Cam Follower	7
29	490166	Spring - Outlet Check	7
30	490167	Roller Bearing	2
31	490170	Inner Race	1
32	490286	Eccentric Roller Bearing	1
33	408900	Seal Buna	1
33	490545	Seal Viton	1
34	490168	Ball Bearing	1
36	405992	Rotation Plate	1
37	400928	Pipe Plug, (Not Shown)	1
38	400925	Pipe Plug, ISO Flow, (Not Shown)	1

OPTION



HIGH PRESSURE SEAL

Ref. No.	Part No.	Description	Qty.
2	250014	Motor End Cover	1
3	350302	Oil Seal Shaft Collar	1
4	308575	Seal Washer	1
16	406576	O-Ring, 1/8 x 1-3/8 x 1-5/8 Viton	1
17	350100	H, P. Gland Cap	1
33	491442	Seal Viton	1
34	490206	Ball Bearing	1
35	490045	Set Screw	1
40	722352	Viton Seal Assembly	1

9 535 233 233

HPUS RSB 002/7 US (2.96)

ROBERT BOSCH FLUID POWER CORPORATION
P.O. BOX 2025
RACINE, WISCONSIN 53401-2025 U.S.A.
Phone (414)554-7100, Fax (414)554-7117

Printed in USA



BOSCH

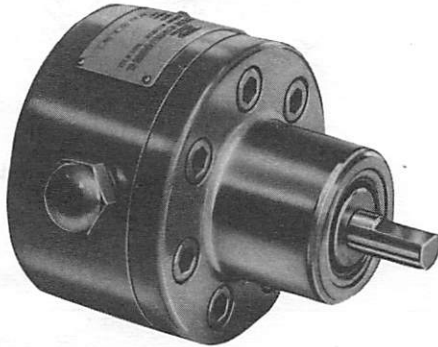


BOSCH

REPAIR PARTS

RADIAL PISTON PUMP

MODEL E055

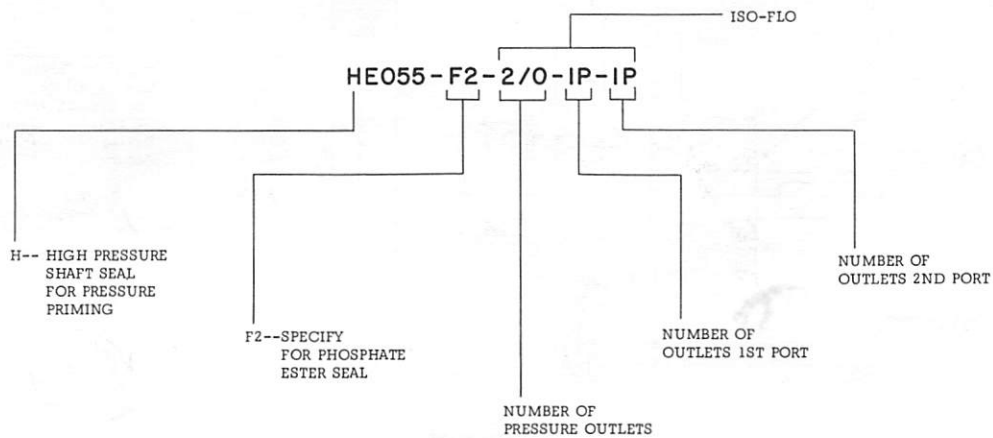


WHEN ORDERING PARTS, FURNISH:

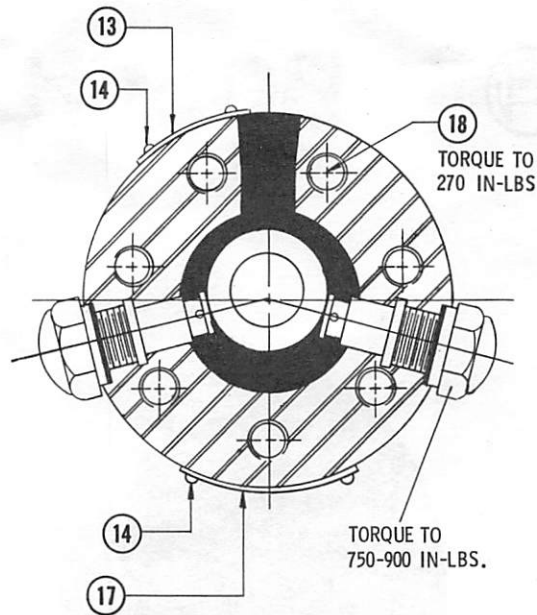
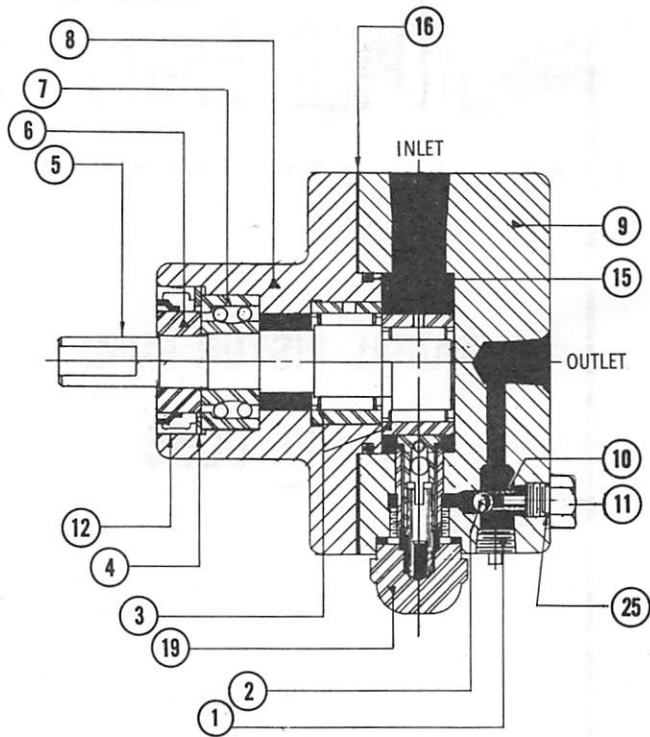
1. COMPLETE CODE NUMBER
2. PARTS REQUIRED
3. SHIPPING INSTRUCTIONS

WRITE FACTORY FOR NEAREST AUTHORIZED PARTS AND SERVICE CENTER.

PUMP CODING



BOSCH



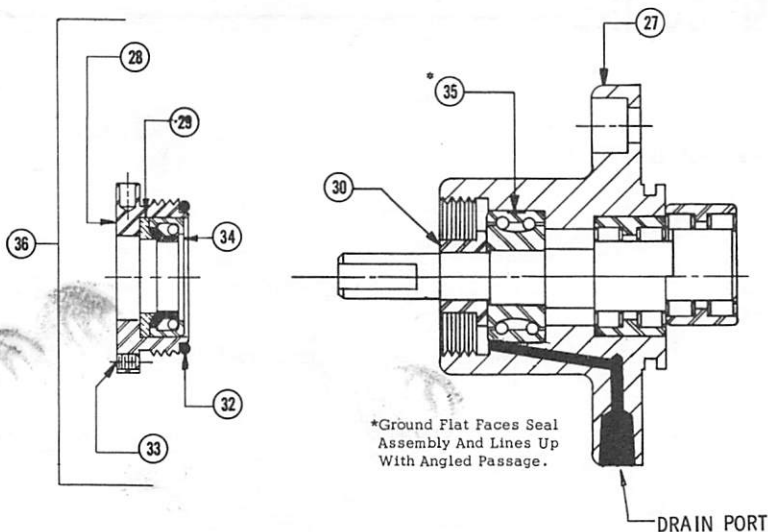
Ref. No.	Part No.	Description	Qty.
1	400922	Pipe Plug	2
2	401065	Steel Ball	2
3	490167	Roller Bearing	2
4	350026	Bearing Retainer	1
5	350314	Shaft	1
6	350025	Oil Seal Shaft Collar	1
7	490168	Ball Bearing	1
8	250009	Motor End Cover	1
9	306796	Body, ISO Flow	1
9	350312	Body, Std.	1
10	490218	Spring	2
11	491537	Plug	2
12	408900	Shaft Seal	1
12	490545	Shaft Seal (Viton)	1
13	405992	Direction of Rotation Plate	1

Ref. No.	Part No.	Description	Qty.
14	401296	Pin	6
15	406712	O-Ring, 3/32 x 1-11/16 x 1-7/8 Viton	1
16	490995	Gasket	1
17	406781	Nameplate	1
18	490024	Screw	7
19	750013	Cylinder Sleeve Assembly-(Std.)	2
20	*350023	Inlet Check Ball Stop (Not Shown)	1
21	*490071	Copper Gasket (Not Shown)	1
22	*401065	Steel Ball (Not Shown)	1
23	*490165	Spring (Not Shown)	1
24	*777191	Piston & Sleeve Assembly (Not Shown)	1
25	407123	O-Ring .064 x .301 x .4293 SAE Plug Viton	2/1

*Included in Sub Assembly 750013, Item #13

OPTIONS

HIGH PRESSURE SEAL



Ref. No.	Part No.	Description	Qty.
27	250014	Motor End Cover	1
28	350100	H.P. Gland Cap	1
29	308575	Seal Support Washer	1
30	350302	Oil Seal Shaft Collar	1
32	401276	O-Ring 1/8" x 1-3/8 x 1-5/8 Viton	1
33	490045	Set Screw	1
34	491442	Shaft Seal Viton	1
*35	490206	Ball Bearing	1
36	722352	Seal Assembly (Viton)	1

9 535 233 228
 HPUS RSB 002/2 US (12.94)

ROBERT BOSCH FLUID POWER CORPORATION
 P.O. BOX 2025
 RACINE, WISCONSIN 53401-2025 U.S.A.
 Phone (414)554-7100, Fax (414)554-7117

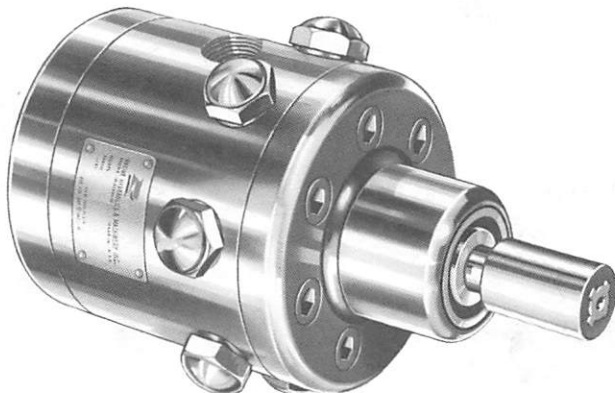
Printed in USA



BOSCH

RACINE®

BOSCH Group



REPAIR PARTS

RADIAL PISTON PUMP

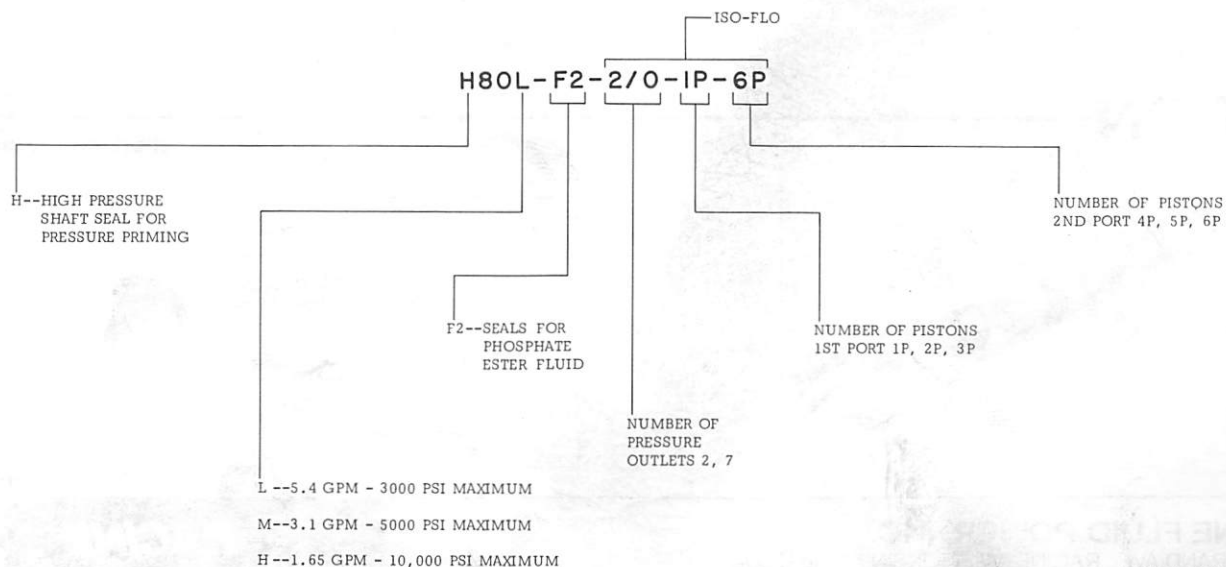
MODEL 80

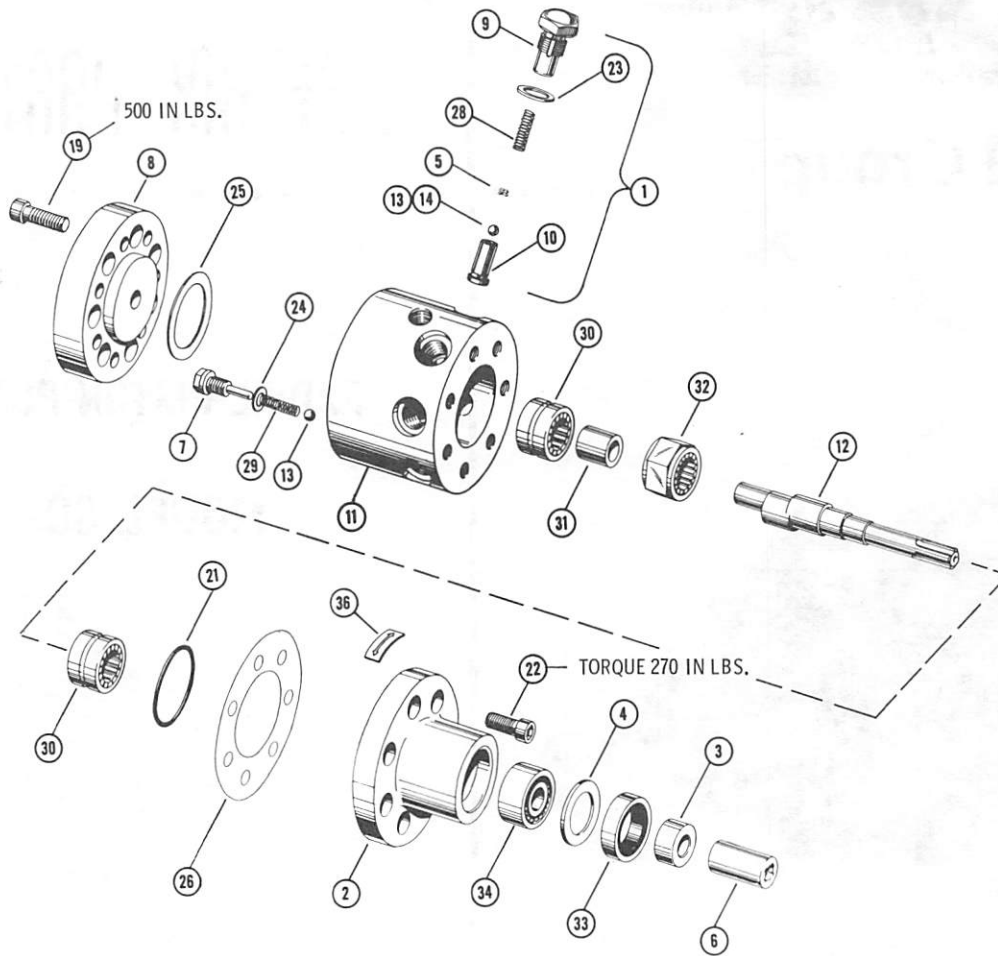
WHEN ORDERING PARTS, FURNISH:

1. COMPLETE CODE NUMBER
2. PARTS REQUIRED
3. SHIPPING INSTRUCTIONS

WRITE FACTORY FOR NEAREST AUTHORIZED PARTS AND SERVICE CENTER.

PUMP CODING



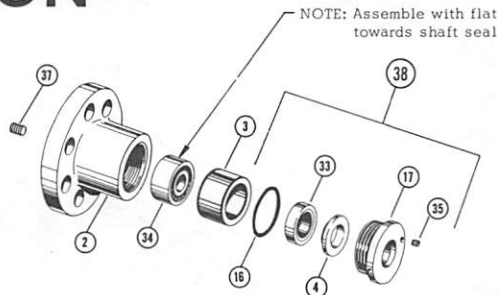


Ref. No.	Part No.	Description	Qty.
1	750200	Piston Assembly - 80L & 80M	7
1	750201	Piston Assembly - 80H	7
2	250031	Motor End Cover	1
3	350031	Oil Seal Shaft Collar	1
4	307634	Bearing Retainer	1
5	350029	Inlet Check Ball Stop - 80L & 80M	7
5	350030	Inlet Check Ball Stop - 80H	7
6	350028	Spined Coupling	7
7	350304	Outlet Check Ball Stop	1
8	350166	Hydro End Cover	1
9	777194	Sleeve & Piston Assembly - 80L & 80M (sold only as an assembly)	7
9	777195	Sleeve & Piston Assembly - 80H (sold only as an assembly)	7
11	750017	Body & Inlet Cage Assembly	1
12	350171	Eccentric Shaft - 80M & 80H	1
12	350170	Eccentric Shaft - 80L	1
13	401067	Steel Ball - 80L & 80M	14
13	401067	Steel Ball - 80H	7

Ref. No.	Part No.	Description	Qty.
14	401066	Steel Ball - 80H	7
19	403345	Screw 1/2-20 x 1-1/4	7
21	406130	"O" Ring (Viton) 3/32 x 2-1/2 OD	1
22	490026	Screw 1/2-20 x 1"	7
23	490076	Copper Gasket	7
24	490077	Copper Gasket	7
25	490075	Copper Gasket	1
26	490996	Paper Gasket	1
28	490172	Spring - Cam Follower - 80L & 80M	7
28	490173	Spring - Cam Follower - 80H	7
29	490174	Spring - Outlet Check	7
30	490175	Roller Bearing	2
31	490177	Inner Race	1
32	490287	Eccentric Roller Bearing	1
33*	407291	Seal (for Phosphate Ester Fluids)	1
34	490176	Ball Bearing	1
36	405992	Rotation Plate	1

*When using Viton Seal #407291, also use Bearing Retainer # 307634

OPTION



HIGH PRESSURE SEAL

Ref. No.	Part No.	Description	Qty.
2	250033	Motor End Cover	1
3	350303	Oil Seal Shaft Collar	1
4	308571	Seal Washer	1
16	406699	"O" Ring (Viton)	1
17	350101	H. P. Gland Cap	1
33	406720	Seal (for Phosphate Ester Fluids)	1
34	490207	Ball Bearing	1
35	490045	Set Screw	1
37	400875	Set Screw	1
38	750032	Buna Assembly Seal	1

TMS-1090-3M

RACINE FLUID POWER, INC.

7505 DURAND AVE., RACINE, WISCONSIN 53406 U.S.A.
 TELEPHONE (414) 554-7100, TELEX 71-191902, FAX (414) 554-7117
 A subsidiary of Robert Bosch Corporation

RACINE[®]
 BOSCH Group

PRINTED IN U.S.A.

REPAIR PARTS

BOSCH

RADIAL PISTON PUMP

MODEL C4



WHEN ORDERING PARTS, FURNISH:

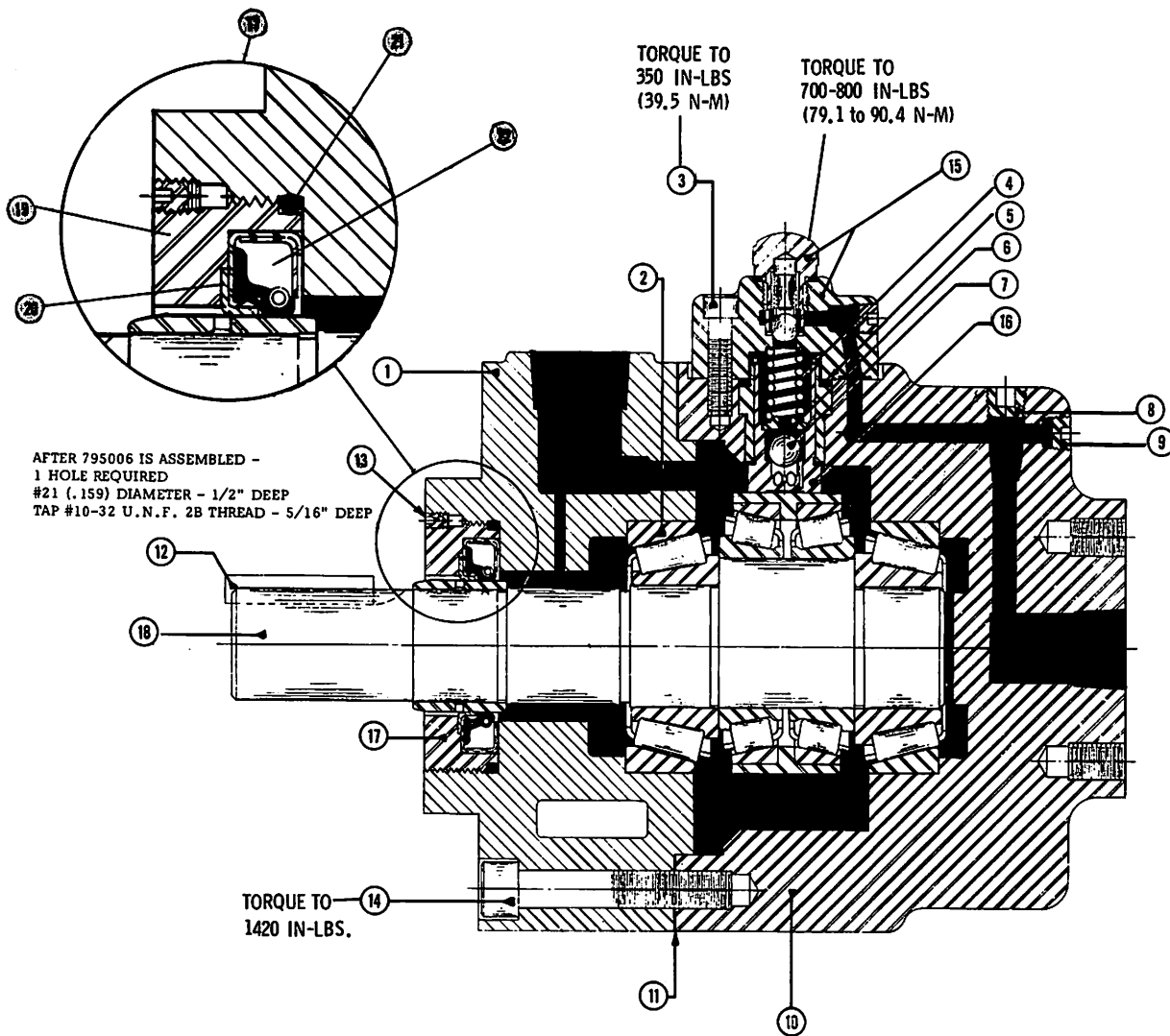
1. COMPLETE CODE NUMBER
2. PARTS REQUIRED
3. SHIPPING INSTRUCTIONS

WRITE FACTORY FOR NEAREST AUTHORIZED PARTS AND SERVICE CENTER.

PUMP CODING

C4-F2

F2--SEALS FOR PHOSPHATE ESTER



Ref. No.	Part No.	DESCRIPTION	Qty.
1	250035	Intake Manifold	1
2	490203	Bearing Outer Race	2
3	405440	Screw 5/16-24 x 1-1/4	35
4	490172	Spring	7
5	490095	Gasket	7
6	350039	Inlet Ball Stop	7
7	401068	Ball	7
8	400928	Pipe Plug 1/4 N.P.T.F.	7
9	400922	Pipe Plug 1/8 N.P.T.F.	8
10	307105	Body	1
11	490109	Gasket .004"	As Req'd
11	490110	Gasket .007"	As Req'd
11	406095	Gasket .025"	As Req'd
12	490043	Key	1
13	490033	Set Screw	1
14	403518	Screw 1/2-13 x 2-3/4	7
--	401296	Pin	6
--	406780	Nameplate	1
--	405992	Rotation Plate	1

* PISTON AND CYLINDER SLEEVE ARE SOLD ONLY AS A MATCHED SET AS ASSEMBLY #777375

Ref. No.	Part No.	Description - Assembly Breakdowns	Qty.
15	750038	Outlet Check Assembly	7
	350046	Outlet Check Spring Stop	1
	350180	Retaining Cap	1
	350291	Retaining Cap Sleeve	1
	400922	Pipe Plug 1/8 N.P.T.F.	1
	401067	Ball	1
	490071	Copper Gasket .875 OD	1
	490101	Copper Gasket .437 OD	1
	490174	Spring	1
16	777375	Piston & Sleeve Assembly	7
	*350051	Cylinder Sleeve	1
	*350184	Piston	1
17	795006	Shaft Seal Assembly	1
	777373	Shaft Seal Assembly Viton	1
18	750103	Shaft & Bearing Assembly, Consisting of;	1
	350368	Shaft	1
	405495	Shaft Seal Collar	1
	490200	Bearing Cone	2
	490201	Bearing Cup	2
	490202	Bearing Cone	2
	490220	Outer Race	1
19	350053	Gland Cap	1
20	308574	Support Washer-Brass	1
21	401294	"O" Ring 1/8 x 3-3/8 OD	1
21	406702	"O" Ring (Viton)	1
22	491423	Seal	1
22	491424	Seal (Viton) (Use with Phosphate Ester Fluid)	1

9 535 233 229
HPUS RSB 002/51 US (4.94)

ROBERT BOSCH FLUID POWER CORPORATION
P.O. BOX 2025
RACINE, WISCONSIN 53401-2025 U.S.A.
Phone (414)554-7100, Fax (414)554-7117



BOSCH

RACINE®

BOSCH Group



REPAIR PARTS

RADIAL PISTON PUMP

MODEL C5

WHEN ORDERING PARTS, FURNISH:

1. COMPLETE CODE NUMBER
2. PARTS REQUIRED
3. SHIPPING INSTRUCTIONS

WRITE FACTORY FOR NEAREST AUTHORIZED PARTS AND SERVICE CENTER.

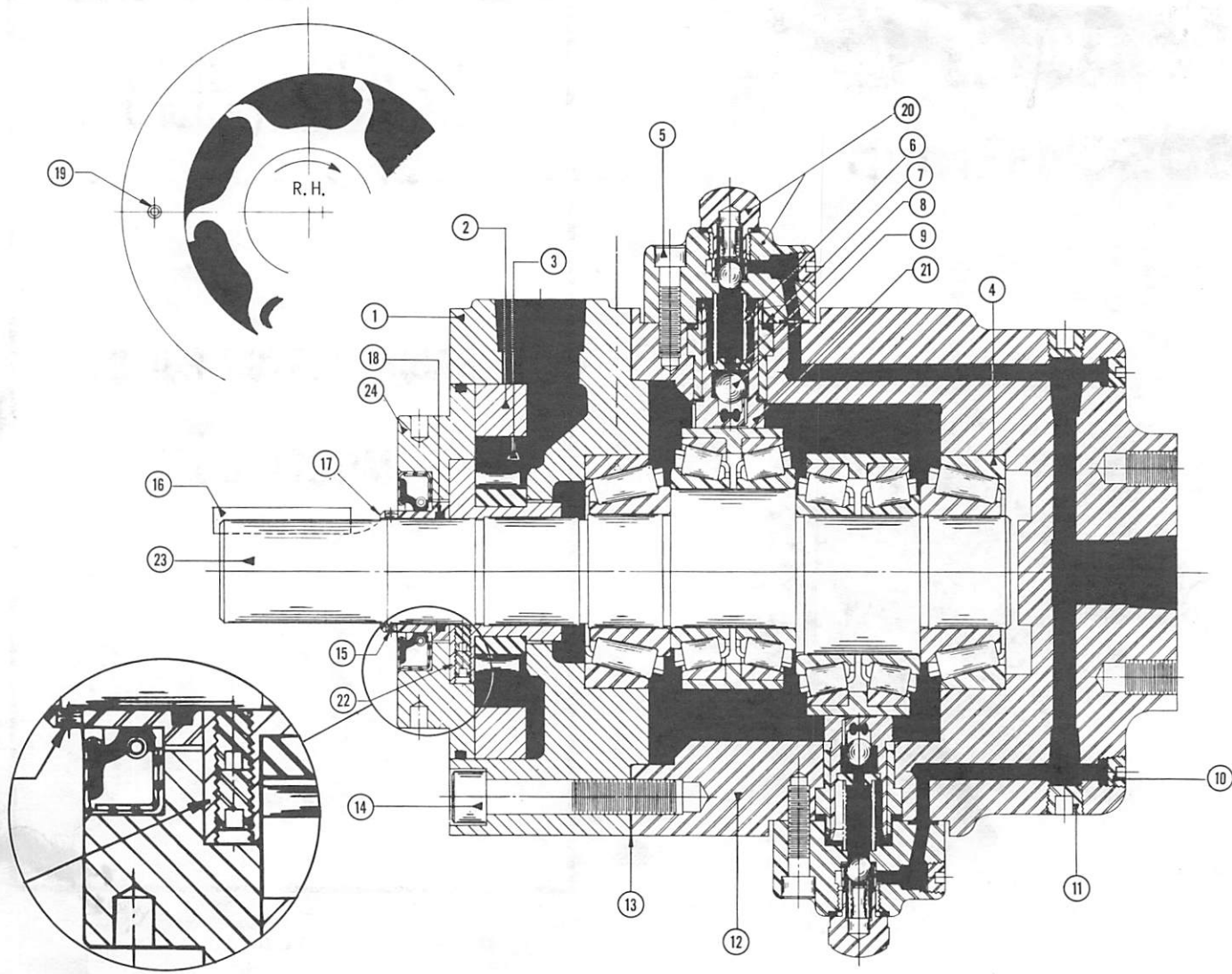
PUMP CODING

C5-RH-F2

F2-- SEALS & IMPELLER FOR
PHOSPHATE ESTER (ONLY)

RH--RIGHT HAND
ROTATION

LH--LEFT HAND
ROTATION



Ref. No.	Part No.	Description	Qty.
1	221620	Intake Manifold	1
2	221798	Impeller Eccentric	1
3	307216	Impeller	1
3	307217	Impeller (Use with phosphate ester fluids only)	1
4	490203	Bearing Outer Race Cone	2
5	405440	Screw 5/16-24 x 1-1/4	70
6	490172	Spring	14
7	490095	Gasket	14
8	350039	Inlet Ball Stop	14
9	401068	Ball	14
10	400922	Pipe Plug 1/8 N.P.T.F.	15
11	400928	Pipe Plug 1/4 N.P.T.F.	14
12	307106	Body	1
13	490109	Gasket .004"	As Req'd
13	490110	Gasket .007"	As Req'd
13	406095	Gasket .025"	As Req'd
14	403518	Screw 1/2-13 x 2-3/4	7
15	405705	Set Screw	2
16	490043	Key	1
17	350220	Shaft Seal Collar	1
18	490250	"O" Ring 3/32 x 1-11/16 OD	1
18	407127	"O" Ring Viton	1
19	401719	Roll Pin	1
--	400599	Rotation Plate	1
--	401296	Pin	6
--	406780	Nameplate	1

Ref. No.	Part No.	Description - Assembly Breakdowns	Qty.
20	750038	Retaining Cap Assembly	14
	350180	Retaining Cap	1
	350291	Retaining Cap Sleeve	1
	350046	Outlet Check Spring Stop	1
	401067	Steel Ball	1
	490174	Spring	1
	490071	Copper Gasket .875 OD	1
	490101	Copper Gasket .437 OD	1
	400922	Pipe Plug 1/8 N.P.T.F.	1
21	777375	Piston & Sleeve Assembly	14
	*350184	Piston	1
	*350051	Cylinder Sleeve	1
22	777407	Impeller Drive Assembly	1
	221797	Drive Flange	1
	405143	Drive Pin	6
	400854	Set Screw 1/4-20 x 3/8	4
23	750077	Shaft Assembly	1
	350208	Shaft	1
	490200	Bearing Cone	4
	490201	Bearing Cup	4
	490202	Bearing Cone	2
	490220	Outer Race	2
24	721547	Shaft Seal Plate Assembly	1
	721566	Shaft Seal Plate Assembly Viton	1
	250039	Shaft Seal Plate	1
	402481	"O" Ring 1/8 x 5-3/8 OD	1
	407115	"O" Ring Viton	1
	491423	Shaft Seal	1
	491424	Shaft Seal (Viton)	1
		(Use with phosphate ester fluids)	

* PISTON AND CYLINDER SLEEVE ARE SOLD ONLY AS A MATCHED SET AS ASSEMBLY #777375

TMS-1090-3M

RACINE FLUID POWER, INC.
 7505 DURAND AVE., RACINE, WISCONSIN 53406 U.S.A.
 TELEPHONE (414) 554-7100, TELEX 71-191902, FAX (414) 554-7117
 A subsidiary of Robert Bosch Corporation

RACINE®
 BOSCH Group

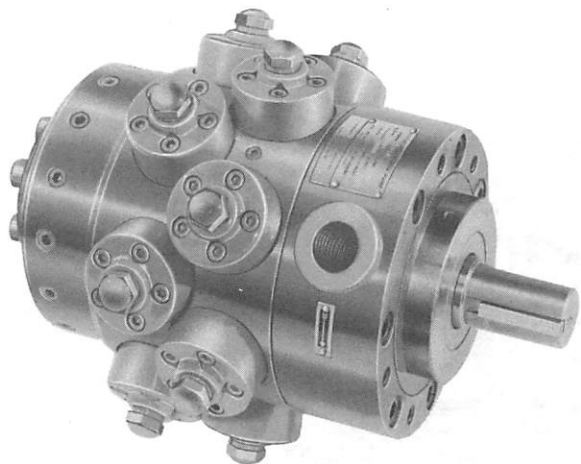
PRINTED IN U.S.A.

REPAIR PARTS

BOSCH

RADIAL PISTON PUMP

MODEL C11



WHEN ORDERING PARTS, FURNISH:

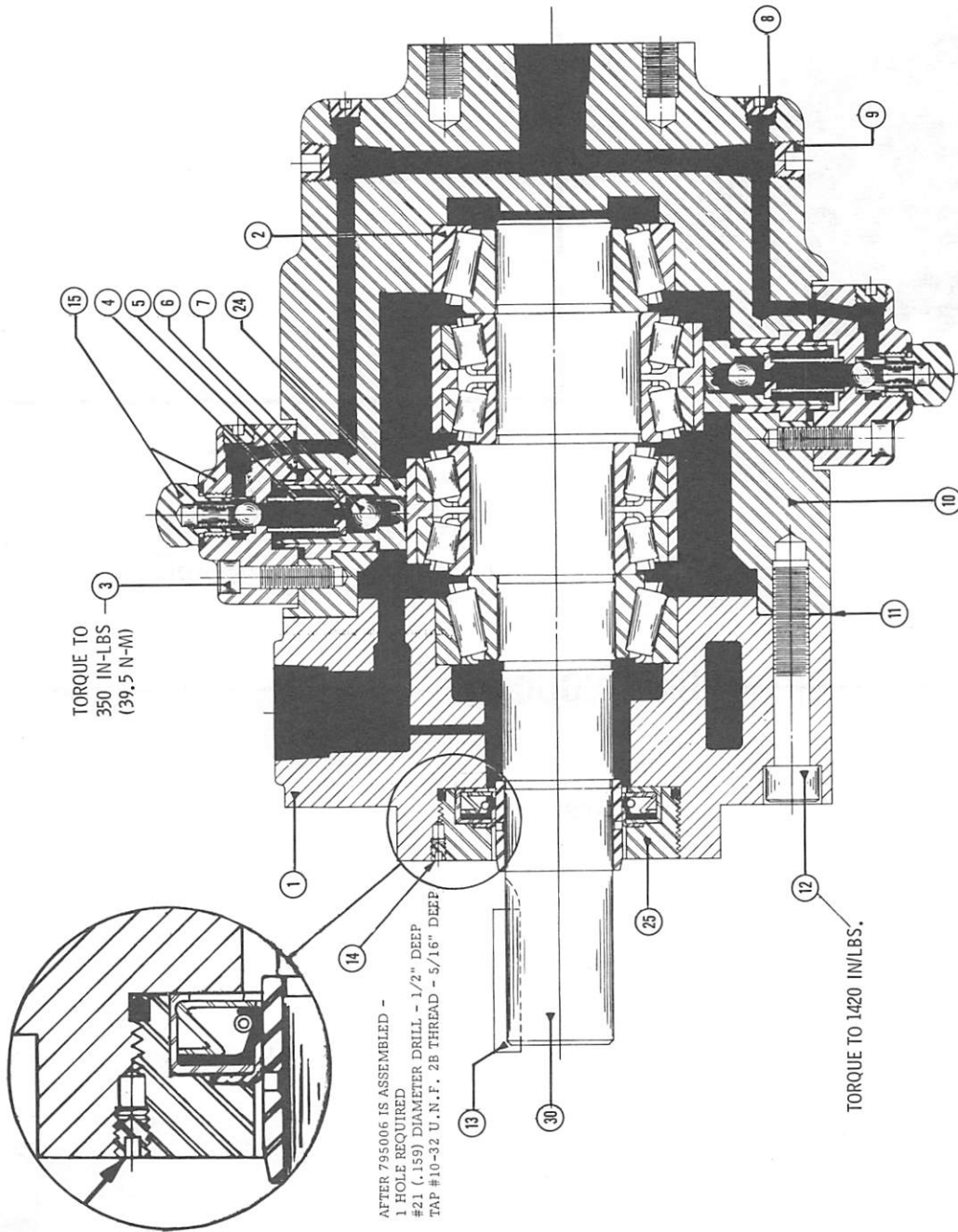
1. COMPLETE CODE NUMBER
2. PARTS REQUIRED
3. SHIPPING INSTRUCTIONS

WRITE FACTORY FOR NEAREST AUTHORIZED
PARTS AND SERVICE CENTER.

PUMP CODING

C11-F2

F2--VITON SEALS

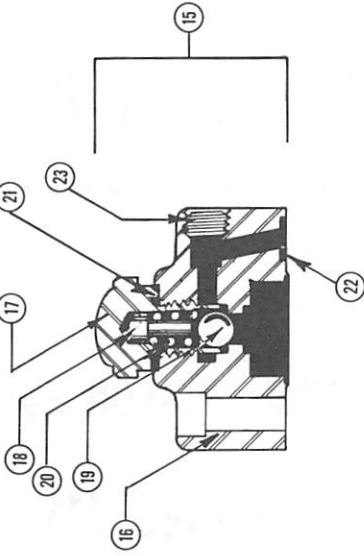
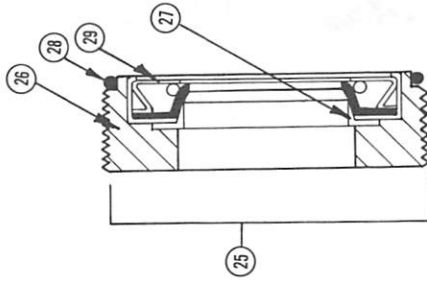


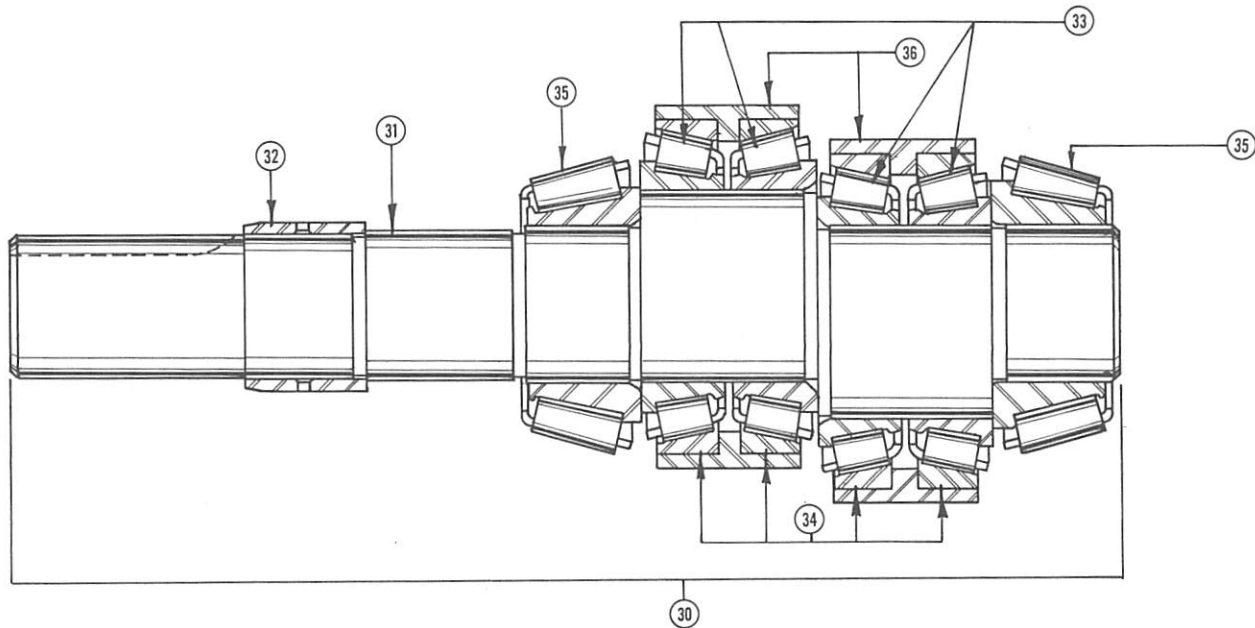
TORQUE TO
350 IN-LBS
(39.5 N-M)

TORQUE TO
700-800 IN-LBS
(79.1 to 90.4 N-M)

TORQUE TO 1420 INLBS.

AFTER 795006 IS ASSEMBLED -
1 HOLE REQUIRED
#21 (.159) DIAMETER DRILL - 1/2" DEEP
TAP #10-32 U.N.F. 2B THREAD - 5/16" DEEP





Ref. No.		Description	Qty.
1	250035	Intake Manifold	1
2	490203	Bearing Outer Race Cone	2
3	405440	Screw 5/16-24 x 1-1/4	70
4	490172	Spring	14
5	490095	Gasket	14
6	350039	Inlet Ball Stop	14
7	401068	Ball	14
8	400922	Pipe Plug 1/8 N. P. T. F.	15
9	400928	Pipe Plug 1/4 N. P. T. F.	14
10	307106	Body	1
11	490109	Gasket .004"	As Req'd
11	490110	Gasket .007"	As Req'd
11	406095	Gasket .025"	As Req'd
12	403518	Screw 1/2-13 x 2-3/4	7
13	490043	Key	1
14	490033	Set Screw	1
-	405992	Rotation Plate	1
-	401296	Screw (Self Tapping)	6
-	406780	Nameplate	1
-	405589	Decal	1

Ref. No.	Part No.	Description	Qty.
15	750038	Retaining Cap Assembly (See Note Below Δ)	14
Δ 16	350180	Piston Retaining Cap	1
Δ 17	350291	Outlet Check Sleeve	1
Δ 18	350046	Outlet Check Spring Stop	1
Δ 19	401067	Steel Ball	1
Δ 20	490174	Spring	1
Δ 21	490071	Copper Gasket .875 OD	1
Δ 22	490101	Copper Gasket .437 OD	1
23	400922	Pipe Plug 1/8 N. P. T. F.	1
24	777375	Piston & Sleeve Assembly	14
25	795006	Shaft Seal Assembly	1
26	350053	Gland Cap	1
27	308574	Support Washer	1
28	401294	"O" Ring 1/8 x 3-3/8 OD	1
28	406702	"O" Ring (Viton)	1
29	491423	Shaft Seal	1
29	491424	Shaft Seal (Viton) (Use with Phosphate Ester Fluid)	1
30	750071	Shaft Assembly (See Note Below +)	1
+ 31	350179	Shaft Assembly	1
+ 32	405495	Shaft Seal Collar	1
+ 33	490200	Bearing Cone	4
+ 34	490201	Bearing Cup	4
+ 35	490202	Bearing Cone	2
+ 36	490220	Outer Race	2

Δ Included In Sub Assembly 750038
 + Included In Sub Assembly 750071